

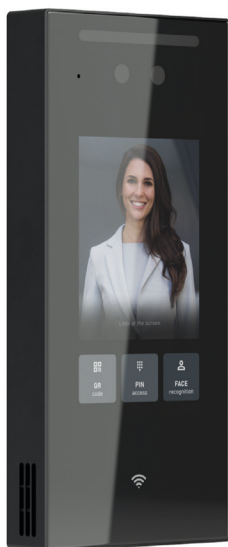
## DICO video intercom with facial recognition

Code: EK-5DP-VI



Datasheet STEK5DPVI\_EN

Perfect choice for Intercom and Access Control



REFLEK5DPVID

### Description

The ekinex® EK-5DP-VI is a safe and convenient commercial-grade device for both intercom & access control. With the latest deep learning algorithm and dual cameras liveness detection technology, EK-5DP-VI can be deployed in the field for residential and commercial applications, for the implementation of smart access control.

### At a glance

- Visible light facial recognition;
- Dual cameras with anti-spoofing algorithm against photo and video attack;
- 20,000 face capacity & 20,000 card capacity;
- Face recognition duration less than 0.2s/user, face recognition accuracy rate greater than 99.7%;
- Allows both audio and video communication to an IP phone, Delégo App or Delégo panel;
- Multiple verification methods including: face, PIN, cards NFC and QR codes;
- Stand-alone operation;
- Configuration via web browser.

### Technical Data

- Display: 5 Inch IPS LCD, 1280x720
- Camera: 2M pixels, WDR
- RF Card Reader: 13.56MHz, NFC
- Relay In / Out: 1 / 1
- Ethernet Port: RJ45, 10/100Mbps adaptive
- Alarm input: 1
- Wiegand protocol: supported
- RS485 port
- 802.3af Power-over-Ethernet
- 12V DC Connector (if not using PoE)
- Tamper: supported
- Installation: wall-mounted or flush-mounted with optional box and frame
- IP Level: IP65
- Working Humidity: 10~90%, no condensing
- Working Temperature: -20 °C ~ +55 °C

### Identification

- Identification mode: face, PIN, NFC, RFID card and QR code
- Identification Speed: < 200ms

### Capacity

- Face Capacity: 20,000
- Card Capacity: 20,000
- Event Log: 50,000



**Warning!** The electrical connection of the device can be carried out only by qualified personnel. The incorrect installation may result in electric shock or fire. Before making the electrical connections, make sure the power supply has been turned off.

### Marks

- CE marking according to:
  - EMC directive 2014 / 30 / EU
  - RoHS directive 2011 / 65 / EU
  - EN 63044-3: 2018, EN 50491-5-1: 2010
  - EN 50491-5-2:2010, EN 50491-5-3: 2010
  - EN 61000-6-2: 2019
  - EN 61000-6-3: 2007 + A1: 2011
  - EN 63000: 2018

### Maintenance

The device is maintenance-free. To clean use a dry cloth. It must be avoided the use of solvents or other aggressive substances.

### Disposal



At the end of its useful life the product described in this datasheet is classified as waste from electronic equipment in accordance with the European Directive 2012/19/EU (WEEE recast), and cannot be disposed together with the municipal undifferentiated solid waste.

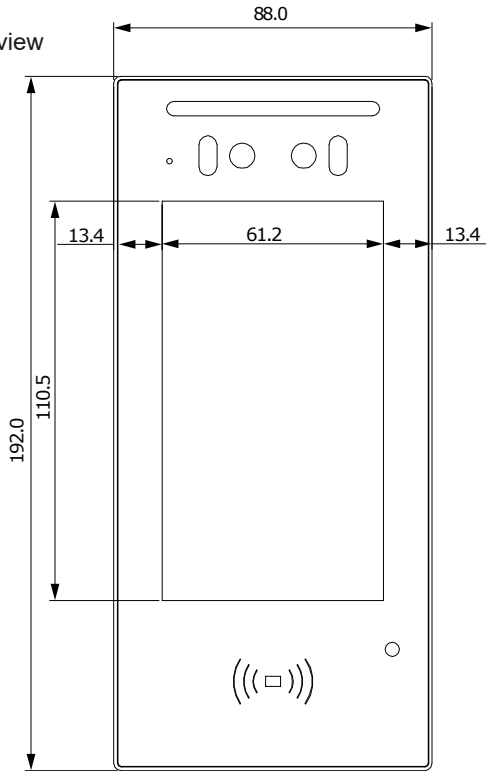


**Warning!** Incorrect disposal of this product may cause serious damage to the environment and human health. Please be informed about the correct disposal procedures for waste collecting and processing provided by local authorities.

## Dimensions

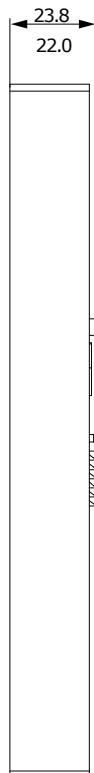
DICO

Front view



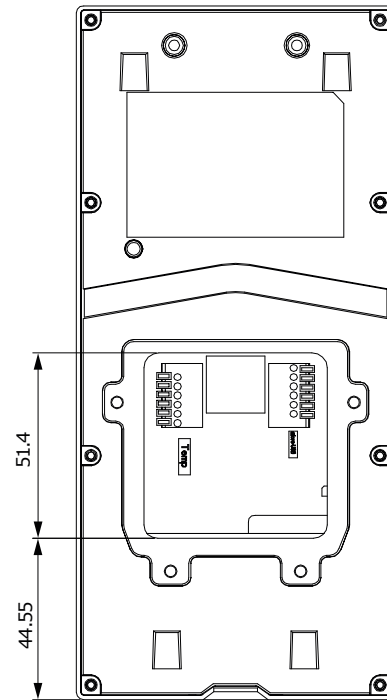
DICO

side view



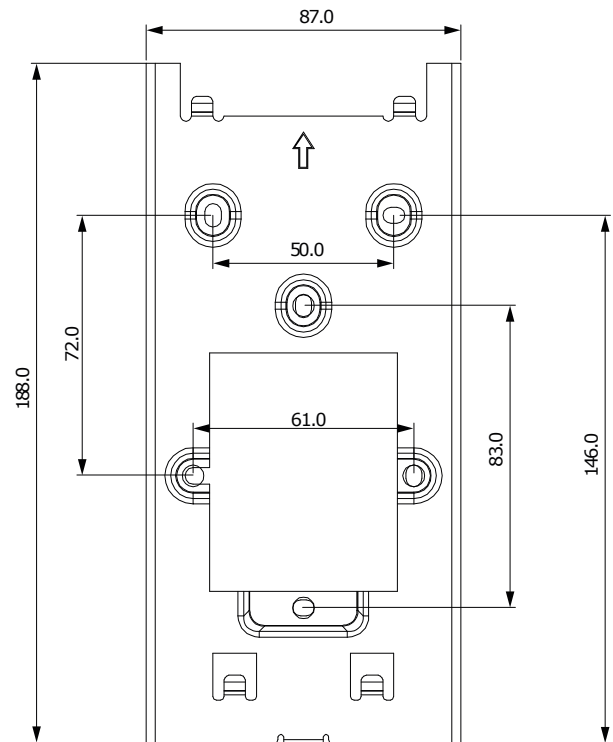
DICO

back view

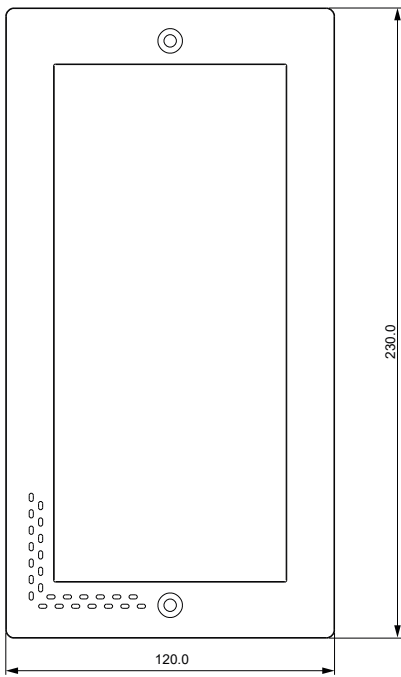


Flush mounting bracket

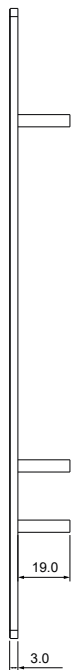
front view



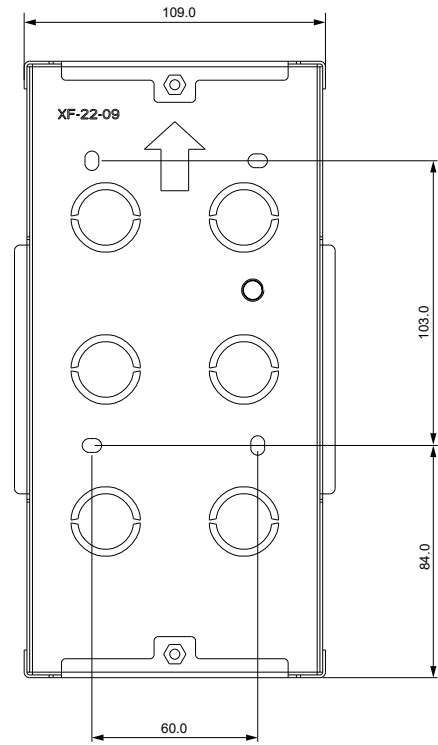
Flush mounting board  
front view



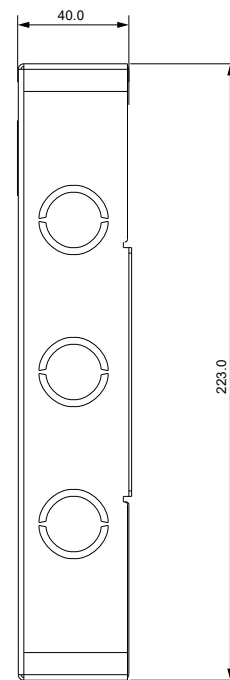
Flush mounting board  
side view



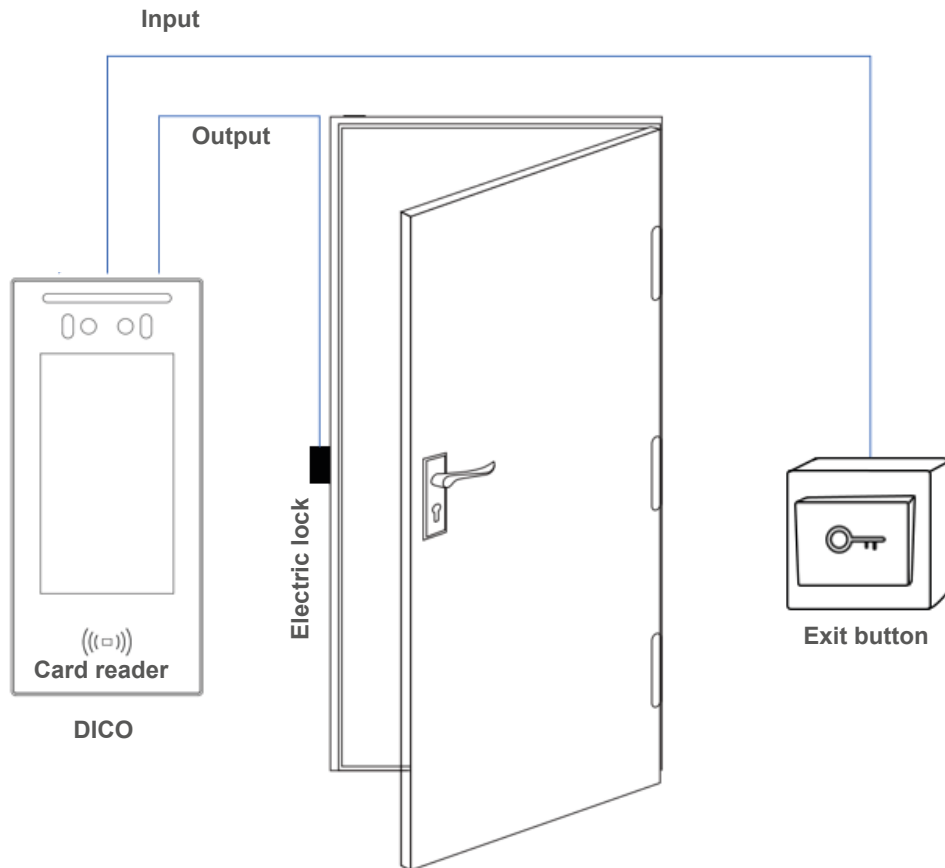
Flush mounting box  
front view



Flush mounting box  
side view



## Application example



## Documentation

This technical datasheet refers to the A1.0 release of the ekinex® EK-5DP-VI device and is available for download on the website [www.ekinex.com](http://www.ekinex.com) in PDF format (Portable Data Format ).

File name	Device release	Update
STEK5DPVI_EN.pdf	A1.0	07 / 2024

[support@ekinex.com](mailto:support@ekinex.com) or visit the website [www.ekinex.com](http://www.ekinex.com)

- Each ekinex® device has a unique serial number on the label. The serial number can be used by installers or system integrators for documentation purposes and has to be added in each communication addressed to the EKINEX technical support in case of malfunctioning of the device

© EKINEX S.p.A. 2024 - The company reserves the right to make changes to this documentation without notice.

## Warnings

- Installation, electrical connection, configuration and commissioning of the device can only be carried out by qualified personnel in compliance with the applicable technical standards and laws of the respective countries
- Opening the housing of the device causes the immediate end of the warranty period
- In case of tampering, the compliance with the essential requirements of the applicable directives, for which the device has been certified, is no longer guaranteed
- ekinex® defective devices must be returned to the manufacturer at the following address: EKINEX S.p.A. Via Novara 37, I-28010 Vaprio d'Agogna (NO) Italy

## Other information

- This datasheet is aimed at installers
- For further information on the product, please contact the ekinex® technical support at the e-mail address: