

eKinex

CONTROL YOUR LIVING SPACE

delégo panel:

supervisory touch-screen panels for KNX standard building automation

Codes:

EK-DEL-5PAN / EK-DEL-5PANWH / EK-DEL-8PAN / EK-DEL-8PANWH



Datasheet STEKDEL58PANXX_EN

Series of touch-screen panels wall-mounting for the realization of fixed supervision and control stations of KNX standard systems, in combination with the compact delégo server device. Available in different 5" and 8" display formats, with black or glossy white plastic frames and aluminium, with the possibility of mounting with horizontal (landscape 8" version) and vertical (portrait 5" version) orientation. The logical navigation for rooms, functions or graphic maps and synoptic maps of the integrated app, with highly immediate user experience, makes the panels suitable for both residential and tertiary use.



Description

delégo panel series are fixed supervision workstations and must be connected to the delégo server device via the building's Ethernet network. The Ethernet connection must be of the PoE (Power On Ethernet) type and also brings power to the devices. It is possible to use a PoE type switch, indicated in case of installation of several panels in the building or a PoE injector. The products are equipped with the Android operating system and a launcher app for launching the delégo supervisor: access to the Internet via the home router ensures that the operating system can be updated. The supervision visualization can be realized both in landscape (8" version) and portrait (5" version) mode: the panels can therefore be mounted with a practical bracket both horizontally and vertically.

Main features

- Power Supply: Power Over Internet (PoE)
- Connectivity: LAN Ethernet 100baseT
- Display: HD IPS LCD type, 16.7 million colors (true color), 1280 x 720 pixels resolution, capacitive touch-screen with multi-touch and gestures support, landscape and portrait orientation, luminance 400 nits.
- Operating System: Android 6
- Speakers: high-definition audio with built-in amplifier, 2 W power

- Microphone: integrated high resolution microphone with echo canceling
- Gyroscope: automatic orientation detection
- Proximity: integrated proximity detection

EK-DEL-5PAN (black frame) / EK-DEL-5PANWH (glossy white frame)

- External dimensions: 132 x 81 x 14 (L x H x D)
- Display size: 5", 104 x 58 (L x H)
- Display proportions: 16:9
- Vertical mounting
- Plastic frame in black or white glossy plastic material
- Aluminium frame available with additional code EK-DEL-5FR-GB
- Compatible flush mounting box: 2M flush mounting box (e.g. bTicino mod. 502E); round box diameter 60 mm (e.g. Gewiss mod. 24232); 3M flush mounting box (e.g. bTicino mod. 503E)

EK-DEL-8PAN (black frame) / EK-DEL-8PANWH (glossy white frame)

- External dimensions: 224 x 149 x 16 (L x H x D)
- Display size: 8", 183 x 103 (L x H)
- Display proportions: 16:9
- Horizontal mounting
- Plastic frame in black or white glossy plastic material
- Compatible recessed box: e.g. bTicino mod. 16204

Other features

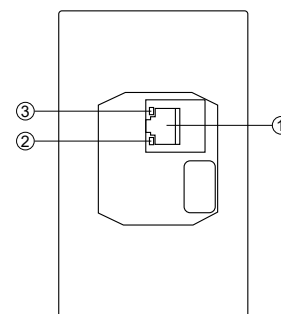
- Plastic housing
- Version for wall mounting
- Degree of protection IP20 with product installed (according to EN 60529)
- Climatic classification 3K5 (indoor, dry) and mechanical 3M2 (according to EN50491-2)
- Weight EK-DEL-5PAN / EK-DEL-5PANWH: 120 g
- Weight EK-DEL-8PAN / EK-DEL-8PANWH: 230 g

Environmental conditions

- Operating temperature: 0°C ... + 40°C
- Storage temperature: - 10 ... + 70°C
- Transport temperature: - 10 ... + 70°C
- Relative humidity: 95% non-condensing

Operating, signaling and connecting elements

The delégo panel series allows you to change all settings through the installed apps. The panels have an RJ45 connector for connecting the Ethernet network cable on the rear recessed part. There are 2 status LEDs on the outside of the connector.



1. Ethernet connector PoE RJ45
2. LED Ethernet network detected
3. LED power on the Ethernet detected

Signaling elements

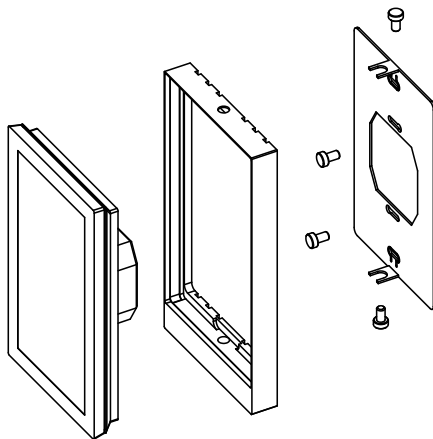
- Network LED detected: Activated when the Ethernet network cable is connected.
- Network power LED detected: Activated when a PoE switch or PoE injector is connected.



Warning! The panel will only start its operating system if there is a properly powered PoE (Power Over Ethernet) network.

Mounting

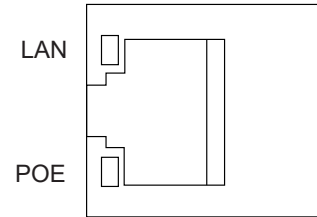
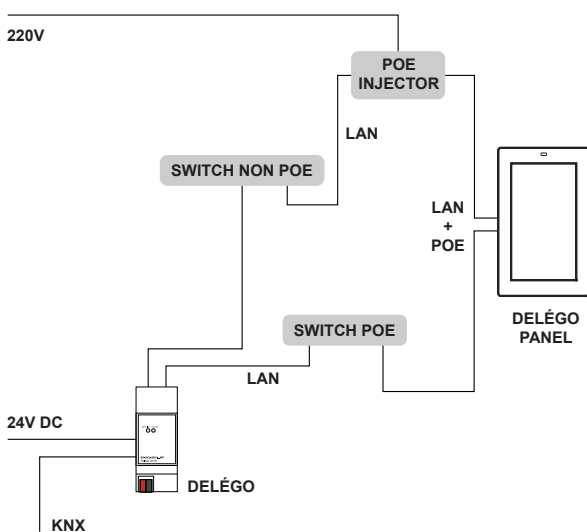
The device has an IP20 protection rating and is therefore suitable for use in dry indoor environments.



Connection to Ethernet PoE

The connection to the Ethernet network is made via RJ45 connector that must be inserted in the female Ethernet connector on the back of the delégo panel. There are 2 possible configurations for the network connection between the delégo server and the touch-screen panel:

- through PoE switch
- via non PoE switch + PoE injector



Configuration and commissioning

The configuration and commissioning of the wall mounting delégo panel series must be carried out by accessing the product settings. These activities must be carried out in accordance with the design of the building automation system carried out by a qualified professional.

Display Settings

Use the pencil icon in the upper right corner to change the main screen. The default PINs are "9999" for the Administrator and "1234" for the User (editable). To add an application to the menu, press "+" at the top, select an app from those available, choose the icon and enter the description. Through the configuration button, on the top left, you can access the following settings:

- Administrator and User PIN: shows the current PIN and allows you to change it;
- Select background: allows you to select the background of the main page
- Do not display logo: allows you to choose whether or not to display the ekinex logo on the main screen
- Android Settings: access operating system settings
- Network configurations: configures the LAN network parameters, being able to set a static addressing (the device operates in DHCP by default)
- Firmware Update: allows you to update the firmware of the device, if available via the Internet
- Screen Off Timer: Allows you to configure a time after which to turn off the screen if unused;
- Device reboot: restarts the device
- Exit App: allows you to exit the menu environment, and switch to the graphical environment of the operating system, for example to install new applications.



Warning! It is not recommended to change the brightness level of the screen (40%) to avoid damage to the device. It is also recommended to turn the display off after no more than 60 seconds to extend the operating life of the panel.

Connecting to delégo server

To access the supervision from the wall panels of the delégo panel series, open the installed delégo app and set the following parameters:

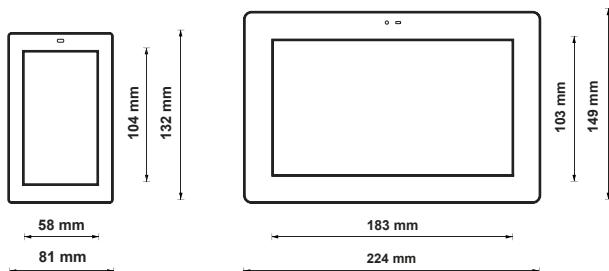
- System details
 - Label: plant
- Login credentials
 - User : admin
 - Password: admin

- Local settings
 - IP address: 192.16 8.0.110
 - Port: 80
 - HTTPS: no
 - Home network: Zyk
- Remote settings
 - IP address: 192.16 8.0.110
 - Port: 80
 - HTTPS: no
- Advanced options
 - Local settings: yes

Be particularly sure to:

- select Zyk as home network
- enter the IP address of the server delégo also in the remote settings
- deselect HTTPS in remote settings

Dimensions [mm]



Approvals

- The products comply with the Low Voltage Directive (2014/35 / EU) and the Electromagnetic Compatibility Directive (2014/30 / EU). Tests carried out in accordance with EN 50491-5-1: 2010, EN 50491-5-2: 2010.
- FCC class B / FCC part 15

Maintenance

The devices are maintenance-free. To clean them, use a dry cloth. The use of solvents or other aggressive substances is absolutely to be avoided.

Disposal



The products described in this technical sheet at the end of its useful life are classified as waste from electronic equipment according to the European Directive 2012/19 / EU (RAEE recast), implemented in Italy with Legislative Decree no. 49 of 14 March 2014, and cannot be transferred to unsorted municipal solid waste.



Important! Incorrect disposal of the product can cause serious damage to the environment and human health. For correct disposal, inquire about the collection and treatment methods provided by the local authorities.

Document

This technical sheet refers to the A1.0 release of ekinex® devices cod. EK-DEL-5PAN, EK-DEL-5PANWH, EK-DEL-8PAN ed EK-DEL-8PANWH and is available for download on the website www.ekinex.com in PDF (Portable Data Format).

File Name	Device release	Update
STEKDEL58PANXX_EN.pdf	A1.0	01 / 2020

Warnings

- Installation, electrical connection, configuration and commissioning of the device may only be carried out by qualified personnel in accordance with the applicable technical regulations and the laws in force in the respective countries.
- The device may not be used in safety applications. However, the device may be used for auxiliary signalling functions.
- Opening the housing of the device results in the immediate interruption of the warranty period.
- In the event of tampering, compliance with the essential requirements of the applicable directives for which the device has been certified is no longer guaranteed.
- Defective ekinex® KNX devices must be returned to the manufacturer at the following address: Ekinex S.p.A., Via Novara 37 - I-28010 Vaprio d'Agogna NO

Other useful information

- This technical data sheet is addressed to installers, system integrators and designers
- For more information on the product, you can contact ekinex® technical support at the e-mail address: support@ekinex.com or consult the website www.ekinex.com
- Each ekinex® device has a unique serial number on the label. The serial number can be used by installers and system integrators for documentation purposes and must be added to any communication addressed to ekinex® technical support in case of equipment malfunction.
- ekinex® is a registered trademark of Ekinex S.p.A.
- KNX® and ETS® are registered trademarks of KNX Association cvba, Brussels.

© Ekinex S.p.A. 2020. The company reserves the right to make changes to this technical documentation without notice.